



GLASS CANOPIES





# CONTENTS

**GLASS CANOPIES BY SOLARLUX**

**04 - 05**

**THE BENEFITS OF CHOOSING A PREMIUM MANUFACTURER**

**06 - 21**

**THE DIVERSITY OF GLASS CANOPIES**

**22 - 33**

The SDL Acubis

The SDL Atrium plus

The SDL Anova

The SDL Aura

**FROM GLASS CANOPY TO GLASS HOUSE**

**34 - 39**

**FITTING OPTIONS FOR GLASS CANOPIES**

**40 - 45**

**SYSTEM SPECIFICATIONS - COMPARISON**

**46 - 49**

**THE TECHNOLOGY OF THE GLASS HOUSE**

**50 - 59**

**ABOUT SOLARLUX**

**60 - 66**







## GLASS CANOPIES BY SOLARLUX

*For certified quality in your garden*

The demands placed on a glass canopy can vary greatly depending on the situation: protection from wind and weather is often a priority, but the desire to be able to spend more time outdoors is also a common factor in opting for a glass canopy. In addition to this, a glass canopy also provides a permanent location for storing garden furniture and plants over the winter months.

Solarlux has more than 35 years of experience in producing glass extensions, glass houses and bi-folding doors. A glass canopy from the premium manufacturer not only offers optimum weather protection - it also provides you with the assurance that you have chosen a provider to whom certified quality and compliance with the applicable regulations are of the utmost importance.





# A SAFE HAVEN - REAL EXPERTS YOU CAN *trust*

THE BENEFITS OF CHOOSING A PREMIUM MANUFACTURER



# THE RIGHT CHOICE IN EVERY RESPECT

*The perfect solution for any situation*

Accurately fitting solutions by Solarlux. Whether you choose a glass canopy or a glass house with vertical glass elements, every system will be the perfect match for the architecture of your building as well as your needs. Solarlux's bespoke solutions are also impressive in terms of their design: the canopies, shade features and vertical glass elements are conceived precisely to work in perfect harmony with one another, right down to the smallest detail. All Solarlux products come from a single source - thus guaranteeing full functionality for many years to come.









## APPLICATIONS

Glass canopies and glass houses cater to a wide range of applications - "traditional" patio roofing is just one of many possibilities. Our wide range of canopy designs - each of which is perfectly tailored to suit your individual project - is also suitable for use as an integrated roof system, a sheltered pergola, or to extend outdoor seating areas in the gastronomy industry.



01 Gastronomy Langenfeld, Germany 02 Integrated roof system Düsseldorf, Germany 03 Stand-alone glass house Harrogate, England







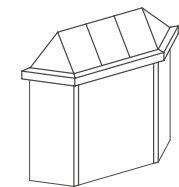
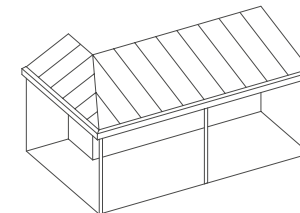
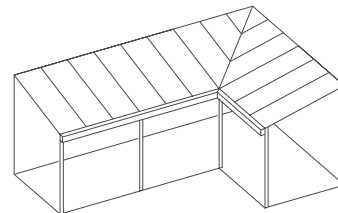
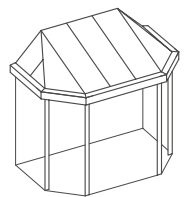
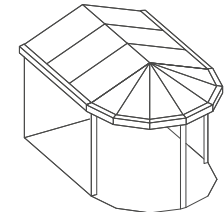
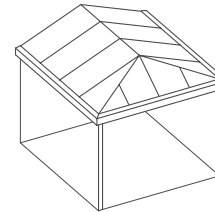
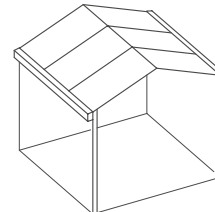
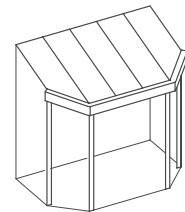
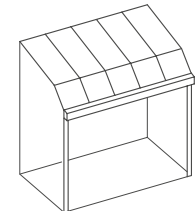
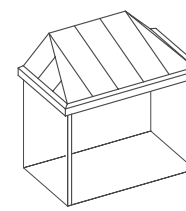
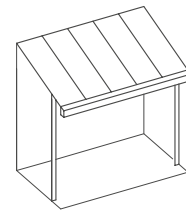
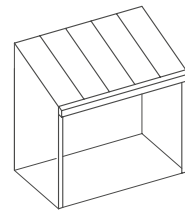


## WIDE RANGE OF CANOPY SHAPES

Whatever your stylistic tastes, Solarlux glass canopies guarantee the right shape of canopy for any situation. Glass canopy, glass house, car port or entrance canopy: our in-depth planning and consultation services will allow us - together with the client - to determine the perfect shape and size to suit their ideas and wishes. Design, statics, drainage, shade and ventilation - these are the key factors that help us to design the perfect canopy and bring it to life.



EXAMPLES OF CANOPY SHAPES







## TESTED SOLARLUX QUALITY MADE IN GERMANY

Test certificates from reputable national and international institutes guarantee the highest level of functional reliability, stability and durability for every Solarlux glass canopy and glass house. The fully tested statics offer peace of mind in extreme weather conditions, such as high wind and snow loads. In addition to complying with the glass standard DIN 18008, it goes without saying that all our systems also bear the CE marking. This European seal of approval confirms that Solarlux offers compliance with DIN EN 1090, which has been mandatory for all manufacturers of steel and aluminium supporting structures since 2014. This system is used throughout Europe to demonstrate when a factory has been certified and carries out its own production control.

### **NOTE:**

DIN EN 1090 is extremely important.  
If this certification is not provided, your  
planning permission may be rejected.

## OUR MATERIALS

The high-quality aluminium and wood materials we use at Solarlux offer maximum creative freedom for your design - not to mention sustainability and durability. By combining these materials with our patented technology, we can make the Solarlux glass canopy the perfect designer solution for your construction projects.



The mark of  
responsible forestry



Promoting Sustainable  
Forest Management  
[www.pefc.org](http://www.pefc.org)





## WOOD

*The natural material for a cosy environment*

The woods used by Solarlux are certified and sourced from sustainable forestry. Both our certificates in this area set high standards, particularly in terms of sustainability, the environmental compatibility of the forest cultivation, the quality of the work and the social expertise of the forestry companies we work with. Our use of water-based finishes and energy-saving production with recycling of water and heat provide further evidence of the care with which we handle our natural resources.

This means that when you choose wood as your material, you are opting for a natural raw material that will provide individual and cosy living. Solarlux fulfils this preference in every respect. In addition to our standard woods - spruce and pine - we also offer a wide range of other timbers. Our surface treatments are completely individual too. Whether you opt for a varnish, a hand-oiled surface or an opaque lacquer, Solarlux products are available in any colour of your choice, regardless of the product manufacturer.



## ALUMINIUM

*The material for durability*

Durable and almost completely zero-maintenance - this is the promise that aluminium keeps as a material. We also apply environmental awareness to our aluminium production - Solarlux is certified in accordance with the German A.U.F. Recycling Loop, which has confirmed that our aluminium is recycled in an environmentally conscious manner that saves on resources. All of our aluminium glass canopies are available in any colour - including special colours such as Eloxal and DB.

## OUR COLOURS

When you choose a Solarlux glass canopy, you opt for individuality. Solarlux colour options, which include around 30 RAL colours, offer all the colours of the rainbow in matt and silk gloss finishes, at no extra cost. This allows every glass canopy to match its building's interior and exterior design. We use our own in-house coating plant - one of the most modern in Europe - for top surface quality.

### THE SOLARLUX WORLD OF COLOURS

 RAL 1015	 RAL 3011	 RAL 5003	 RAL 5008
 RAL 5014	 RAL 6005	 RAL 6009	 RAL 7004
 RAL 7006	 RAL 7015	 RAL 7016	 RAL 7021
 RAL 7024	 RAL 7035	 RAL 7038	 RAL 7039
 RAL 7040	 RAL 8017	 RAL 8019	 RAL 8022
 RAL 8077	 RAL 9001	 RAL 9003	 RAL 9004
 RAL 9005	 RAL 9006	 RAL 9007	 RAL 9010
 RAL 9011	 RAL 9016		







**THE SOLARLUX COATING  
IS CERTIFIED TO INTER-  
NATIONAL STANDARDS**

### **SOLARLUX SPECIAL COLOURS**

*Inimitable surfaces for unique projects*

It goes without saying that we also offer special DB, RAL and Eloxal colours, as well as special surface finishes (e.g. Tiger), for anyone looking to give their glass canopy a unique twist. We can make almost any wish come true - and we also offer coatings for special climate requirements (such as coastal properties).



## THE ADVANTAGES OF THE GLASS CANOPY - AN OVERVIEW



### PROTECTION FROM WIND AND WEATHER

With a glass house, you can enjoy your patio at any time of year. The versatile glass elements provide additional protection from draughts without obscuring your view. And with our comprehensive weather protection, you'll soon find your evenings on the patio stretching out into the small hours - whatever the weather.



### BOOST THE VALUE OF YOUR PROPERTY

Glass canopies and glass houses are a sure-fire way of increasing your property's value. Thanks to their different shapes, colours and materials, you can always find a Solarlux glass canopy to match the architecture of your home. Both their functionality and, above all, high-quality design represent guaranteed added value, for new buildings and renovations alike.



### PROTECTION FOR PLANTS AND GARDEN FURNITURE

No more wasting time constantly carrying your garden furniture and patio plants in and out of the house! A glass house will provide excellent protection for your plants and furniture, all year round.



### HEAT BARRIER

The glass house does more than offer protection from the wind and rain - it also acts as a heat barrier: simply open the door to your main living area on a warm autumn or winter day and let the heated air from the glass house warm up the rest of your home.





**WHAT SOLARLUX OFFERS**

- In-depth consultation and planning
- Free visualisation  
(e. g. virtual reality model)
- Wide range of shapes, materials and colours guarantees perfect harmony with the building's existing architecture
- Filigree profile views, maximum transparency
- Silicone-free assembly
- Sophisticated technical construction in terms of drainage, sealing, statics and sub-structure
- Compliance with all applicable standards and specifications









# MAKE YOURSELF *at home* IN YOUR GARDEN

THE DIVERSITY OF GLASS CANOPIES





## TAILOR-MADE TO YOUR EVERY WISH

Every Solarlux glass canopy and glass house is a bespoke solution that is tailor-made to suit your individual needs. With the wide range of systems we offer, anything is possible: from quickly and efficiently made glass canopy constructions and sophisticated designer roofing to complex custom solutions.

**A GLASS HOUSE OFFERS**  
**THE PERFECT SHELTERED**  
**ENVIRONMENT TO WHILE**  
**AWAY THOSE LONG EVENINGS**



# SDL ACUBIS

ALUMINIUM

## *The flat canopy with sophisticated technology*

The latest glass canopy development - the new SDL Acubis flat canopy - is a winner in terms of design and functionality, and can be built as a stand-alone unit or an extension to an existing building. The internal structural members of the non-insulated profile system lend the canopy an air of elegance. The 2° roof pitch is barely visible to the naked eye, but is enough to ensure that water drains off the canopy. A low, single-piece wall joint lends the canopy a lightweight feel and makes on-site assembly a breeze.

### **THE SDL ACUBIS**

- Invisible 2° roof pitch
- Low fascia - just 253 mm
- Free-standing construction or connected to your existing architecture
- Can be extended to form glass house
- Comprehensive range of accessories available: lighting, shading, etc.











# SDL ATRIUM PLUS

ALUMINIUM

## *The all-round solution to suit any situation*

The perfect glass canopy for any application: the Atrium plus allows you to create large areas of glass with generous distances between the posts - and complex special shapes too. Its elegant design and filigree Softline profile lend the canopy an incredibly airy character, while the permanent roof ventilation system keeps the climate comfortable at all times. It also offers an impressively high level of prefabrication and short assembly times. When combined with the SL 20e vertical sliding system, fixed glazing or the tried-and-tested SL 25 slide-and-turn system, the glass canopy can be transformed into a glass house with protection on all sides.

### THE SDL ATRIUM PLUS

- Roof pitch 5° to 45°
- Suitable for very large canopy areas
- Available in almost any shape
- Can be extended to form glass house
- Comprehensive range of accessories available: lighting, shading, etc.
- With optional roof overhang





# SDL ANOVA

ALUMINIUM

## *Focus on what really matters*

The SDL Anova is the glass canopy for anyone looking for a quick, high-quality, permanent shelter solution for their patio. Sophisticated design, quick installation, Solarlux quality: the SDL Anova combines a modern look with hugely effective functionality. It comes in twelve standard sizes and two standard RAL colours, keeping cost-intensive planning to a minimum.

### THE SDL ANOVA

- 5° roof pitch
- High bearing capacity and large distances between posts
- Fixed glazing using 10 mm laminated safety glass
- Available for several different snow load zones
- Available in two modern colours (DB 703 and RAL 9006)
- Quick assembly
- 12 standard sizes
- Optional sliding glazing with roof ventilation

### AVAILABLE SIZES

Width/height (mm)	3,600	4,500	5,400	6,300
3,000	Type 01	Type 02	Type 03	Type 04
3,800	Type 05	Type 06	Type 07	Type 08
4,600	Type 09	Type 10	Type 11	Type 12











# SDL AURA

WOOD/ALUMINIUM

## *Get close to nature*

This glass canopy system will bring you closer to nature in two ways: the wood on the inside of the canopy makes it a unique natural product, while the aluminium cover shells on the outside allow you to be closer to the natural world while still being protected from the weather. The cover shells are available in any RAL colour, thus ensuring that the SDL Aura matches the exterior design of your building perfectly. The system also offers a number of structural benefits, such as optimum protection from the elements and surface-mounted spotlight rails. The SDL Aura comes in laminated spruce as standard; other types of wood are available on request.

### **THE SDL AURA**

- Roof pitches from 5° to 25°
- Wood: Spruce
- Slender dimensions and incredibly sturdy
- High level of prefabrication
- Optimum weatherproofing for rafters and eaves thanks to the externally mounted cross-beam
- Optional roof overhang
- Interior or exterior shading available







# PERFECT *protection* ON ALL SIDES

FROM GLASS CANOPY TO GLASS HOUSE







# AN UNOBSTRUCTED VIEW OF PARADISE

*Sliding systems, slide-and-turn systems & bi-folding doors*

A glass canopy is a good place to shelter under on rainy days. Yet if you add vertical, sliding glass elements, it becomes a glass house that will protect you against all types of wind and weather. Almost any Solarlux glass canopy can be converted into a cosy glass house - even after the original installation. The benefits: a Solarlux glass house is transparent on all sides, causes no reduction in daylight, and can be opened up fully on all elevations. Enjoy the fresh air to its fullest when the weather is nice, then close the transparent vertical glazing for protection against wind and rain when the conditions turn.

**VIEW OUR ENTIRE PORTFOLIO  
OF VERTICAL ELEMENTS AT  
[SOLARLUX.COM](https://www.solarlux.com)**







#### **SL 20E SLIDING SYSTEM**

*All-glass, non-insulated*

The SL 20e sliding system can be used in glass canopies to protect from wind and weather, or as a simple partition. Its ease of use is particularly impressive: the intelligent catching function makes moving the all-glass elements child's play. The individual panels are guided along two to five-track flat floor tracks, providing an accessible transition to the outdoors. In addition to this, the SL 20e sliding system can be used as a fully transparent corner solution without any loss of impermeability. The elements can be set up to slide to the left and/or the right, and a framed variant and a locking mechanism with a range of different handle designs are available.

#### **SL 25/SL 25 XXL SLIDE-AND-TURN SYSTEM**

*All-glass, non-insulated*

The SL 25 and SL 25 XXL slide-and-turn systems are an excellent choice for anyone looking for protection from wind and weather, and are also available with frames for more demanding situations. The elements can be set up to slide to either the left or the right, and to swing either inwards or outwards. The carriages can move through any angle between 90° and 180°, which makes the systems perfect for a wide range of floor plans and offers unrestricted creativity when designing your patio. Thanks to this technology, the elements can be opened almost all the way, with only a thin bundle of panels stacked to one side. This allows you to enjoy the full effect of the fresh air on your patio when the weather is good.

#### **SL 35/SL 45 BI-FOLDING DOOR**

*Aluminium, non-insulated*

The SL 35 and SL 45 bi-folding doors offer excellent protection from the wind and weather thanks to their use of two continuous gaskets. They fold up like an accordion, leaving a large opening to let the fresh air into your glass house. Depending on the system, the slender bundle of panels can be slid to the left or right and fold inwards or outwards, leaving a panel bundle of just 50 centimetres in a five-meter opening.









# MAXIMUM CONVE- NIENCE FOR YOU, EVERYTHING *included*

FITTING OPTIONS FOR GLASS CANOPIES



# THE LATEST IN SHADING FOR SOLARLUX GLASS CANOPIES:

## *The Solarlux awning made by Warema*

Maximum shading convenience for Solarlux glass canopies: Solarlux awnings made by Warema, which are tailored exactly to the glass canopies, guarantee a wide range of technical and functional benefits. They can even be used to fit awnings to large-area canopies. The range of different materials and colours available offers plenty of creative freedom, while all-glass sliding elements can also be combined with the vertical awning without any problem.

The Solarlux awning made by Warema is available in four variants: above glazing, below glazing, vertical and corner. Both the awning and the glass canopy are delivered in the same shipment and can be ordered directly through Solarlux, who act as a one-stop shop for service and delivery to both building owners and on-site installers.









# FOR A PERFECT LIFE IN YOUR GARDEN

*Wide range of accessories direct from Solarlux*

We don't just offer optimum shading, pleasant temperatures on colder days, ventilation on hot days, lighting or special glazing as ways of making your glass house the perfect cosy corner for your home. We also make it easy for you to control these components at the push of a button. The convenience and practicality doesn't stop there: everything is provided directly by Solarlux - the one-stop shop for all your glass house needs.



### MOBILE CONTROL

The innovative Solarlux controller not only allows you to control your high-quality awning remotely - you can also use it to dim your lighting or switch it on and off. It is also easy to expand the controller so that it can be used on up to eight different products (e.g. radiant heaters). You can even download an app to control all your components using your smartphone.

### LIGHTING

Enjoy balmy summer nights on your patio. Integrated LED spotlights create a cosy twilight atmosphere and provide pleasant illumination under your glass canopy.

### VENTILATION

Permanent roof ventilation with two panes of glass provides a constant flow of fresh air to your glazed patio or glass house, stopping it from getting too stuffy even on hot days. Optional electric skylights or sliding skylights are also available.



### INFRARED RADIANT HEATERS

The infrared radiant heater is the perfect way to heat your glass house. Simply switch it on shortly before you start using the glass house and you'll be enjoying its pleasant warmth in no time - whenever you need it.

### BIRD PROTECTION GLASS

Glass offers a whole range of benefits for humans - but for birds living in the wild, glass houses, extensions and canopies represent a life-threatening hazard. To keep the risk of such collisions to a minimum, ask Solarlux for bird protection glass, which reduces reflections to make the pane specially visible to birds.









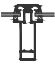



# GREAT DIVERSITY REQUIRES *clarity*

SYSTEM SPECIFICATIONS - COMPARISON



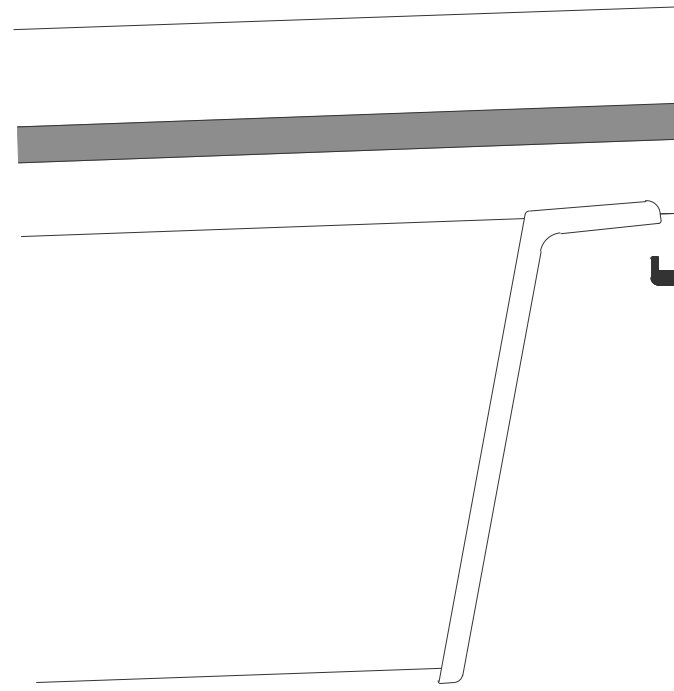
## OVERVIEW OF THE SYSTEMS

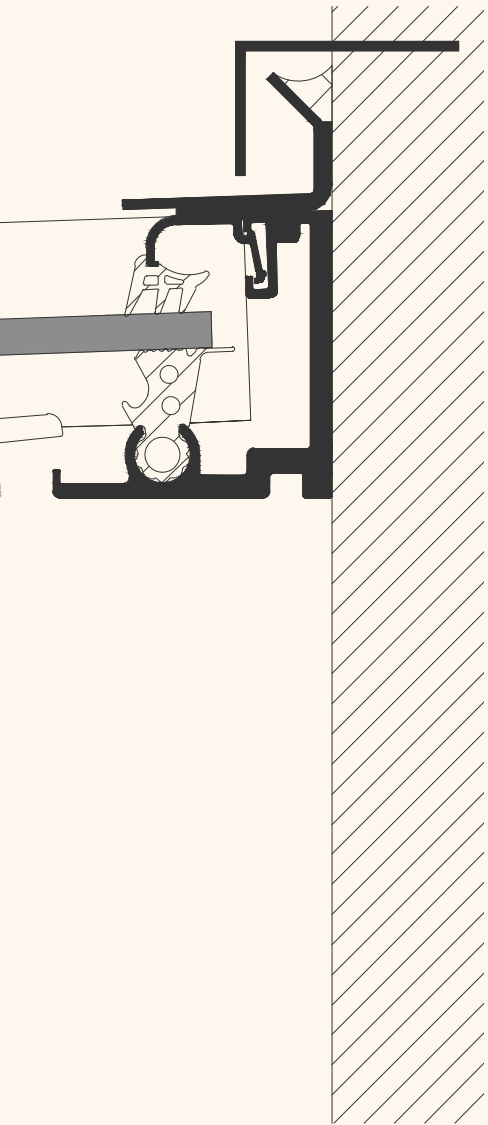
Below is an overview of all our systems and options so that you can compare them at a quick glance.

	SDL Acubis	SDL Atrium plus	SDL Anova	SDL Aura
				
<b>Material</b>				
Aluminium	●	●	●	○
Wood/aluminium	○	○	○	●
<b>Canopy shapes</b>				
Monopitch canopy	●	●	●	●
Segmented canopy shape	○	●	○	○
Customised designs	○	●	○	○
<b>Dimensions</b>				
Max. distance between posts	7.0 m	7.0 m	3.91 m	5 m
Max. width	Unlimited	Unlimited	6.3 m <sup>(4)</sup>	Unlimited
Max. depth	6.1 m	7.0 m	4.6 m <sup>(4)</sup>	5 m
Roof pitch	2°	5 - 45° <sup>(3)</sup>	5°	5 - 25° <sup>(3)</sup>
<b>Drainage</b>				
Designer gutter	●	●	●	●
Drainage via downspout	○	●	○	●
Drainage via down pipe	●	●	○	●
<b>Shading</b>				
On outside	○	●	○	●
On inside	●	●	●	●
Vertical	●	●	○	●
<b>Ventilation</b>				
Permanent roof ventilation with fly screen	○	●	○	○
Motorised roof ventilation	●	●	○	●
Motorised sliding windows	●	●	○	●
Manual sliding windows	○	○	●	○
<b>Lighting</b>				
Rafters with LEDs	●	○	○	○
Spotlight rail with LEDs	●	●	○	●
Cable duct	●	●	○	●
<b>Suspended system for Solarlux glass houses</b>				
SL 25/SL 25R/SL 25 XXL slide-and-turn system	●	●	○	●
SL 20e sliding system	●	●	○	●
SL 35/SL 45 bi-folding door	●	●	○	●
Fixed glazing	●	●	○	●

<sup>(1)</sup> Additional canopy shapes available on request · <sup>(2)</sup> Depending on snow load, rafter spacings and weight of glass  
<sup>(3)</sup> Additional roof pitches available on request · <sup>(4)</sup> Please note the specified size (see p. 30)







# THE TECHNOLOGY OF THE GLASS HOUSE

## THE SDL ACUBIS

Wall joint  
Rafters  
Eaves

## THE SDL ATRIUM PLUS

Wall joint  
Rafters  
Eaves

## THE SDL ANOVA

Wall joint  
Rafters  
Eaves

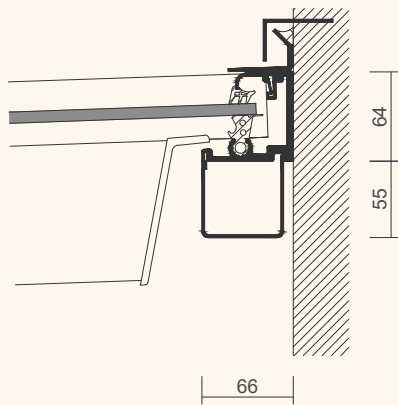
## THE SDL AURA

Wall joint  
Rafters  
Eaves



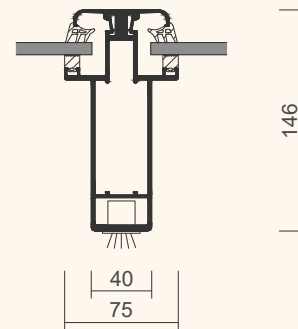
# SDL ACUBIS

## *Detail sections*



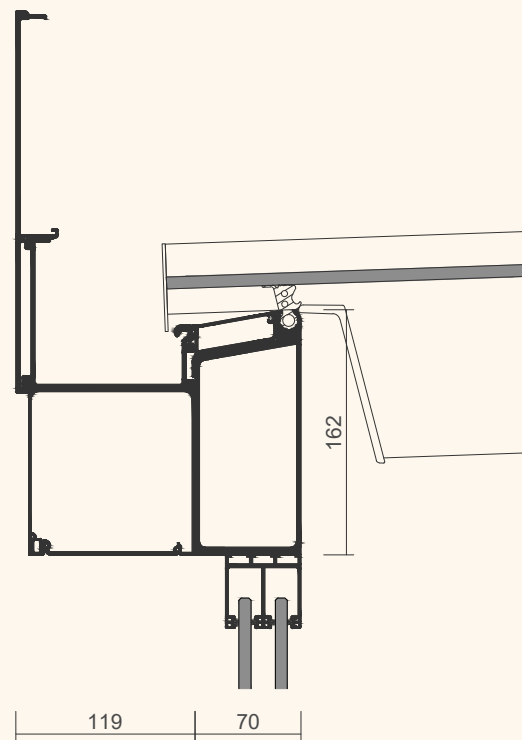
### *Wall joint*

One-piece wall joint with cable duct for concealed cable routing.



### *Rafters*

Filigree, internal rafters with lighting. Available with steel reinforcement for heavy snow loads.



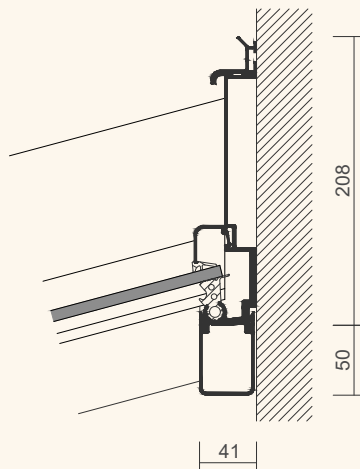
### *Eaves without roof overhang*

Three-piece component comprising eaves, gutter and the 253 mm facing; available with optional lighting or shading profile.



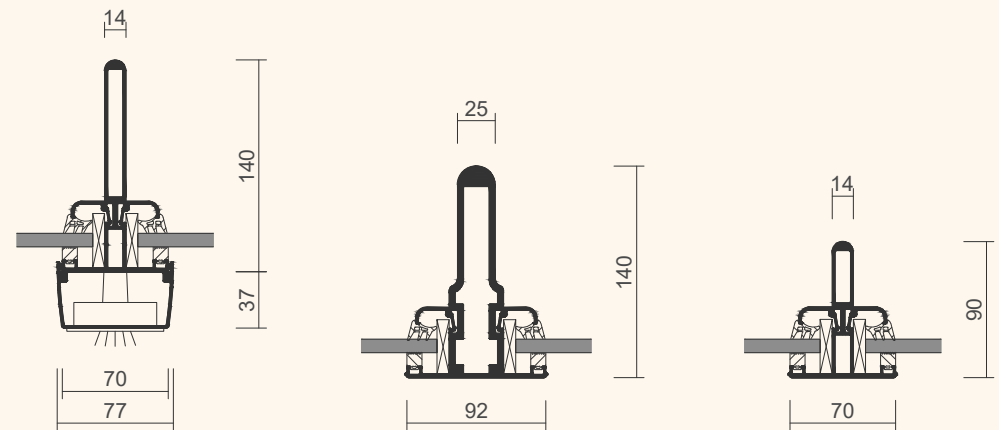
# SDL ATRIUM PLUS

## Detail sections



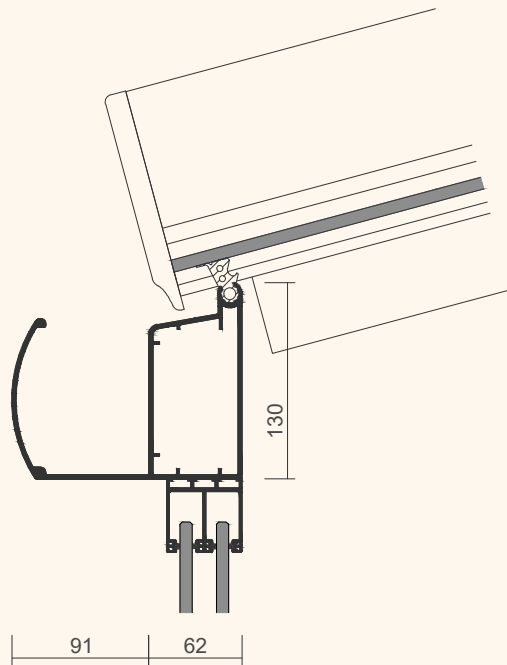
### Wall joint

One-piece wall joint for outside rafter, with cable duct for concealed cable routing.



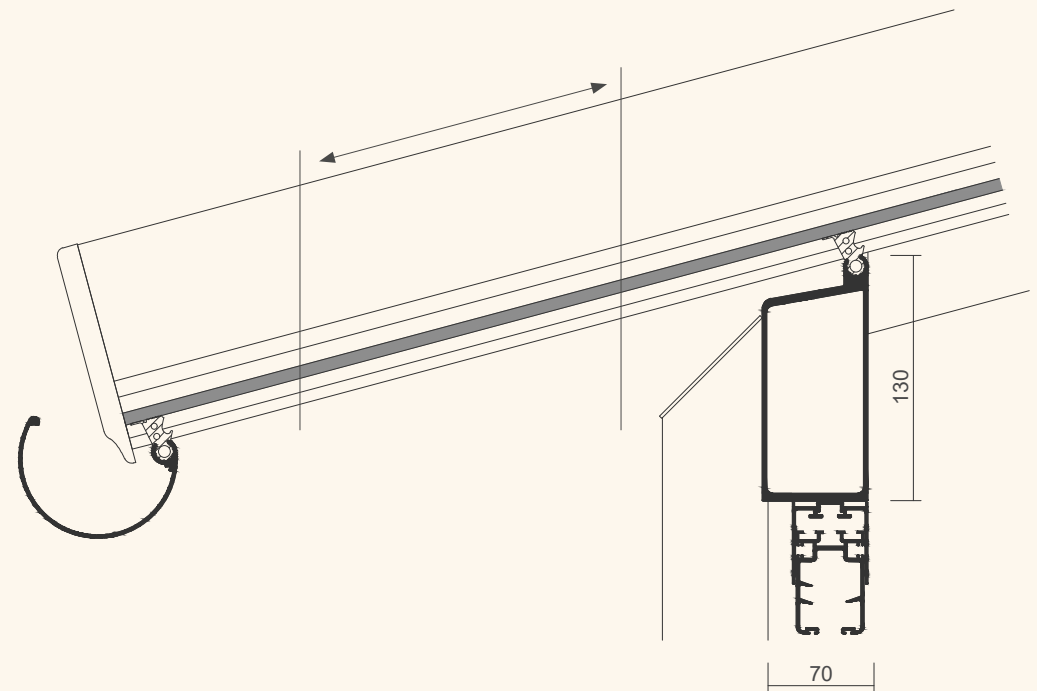
### Rafters

Three filigree rafter types depending on structural requirements, with optional spotlight rail.



### *Eaves without roof overhang*

One-piece eaves with rounded  
Softline profile on the outside.



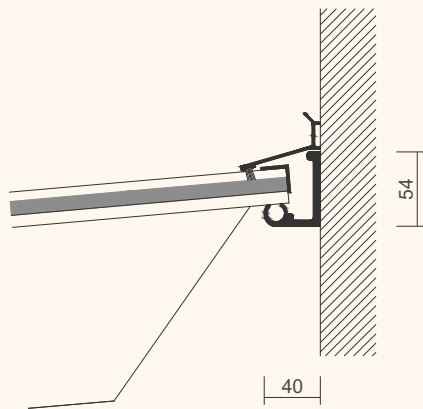
### *Eaves with roof overhang*

Eaves for variants with variable roof  
overhang. Drainage via external gutter.



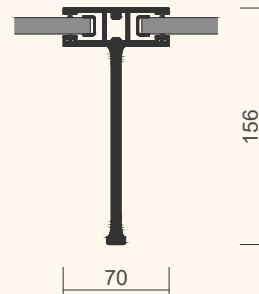
# SDL ANOVA

## *Detail sections*



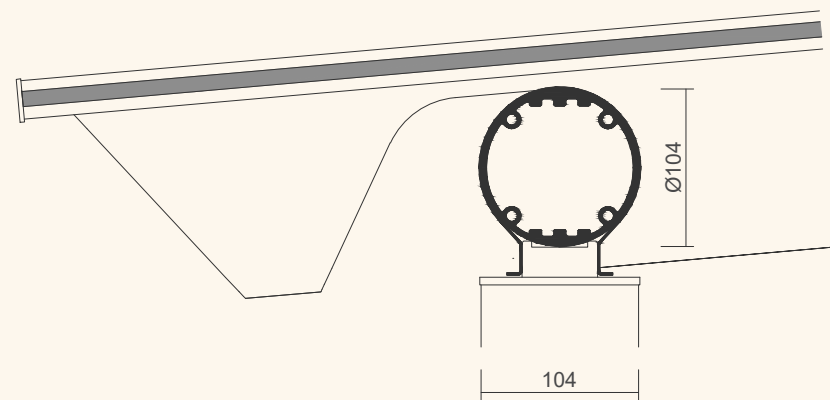
### *Wall joint*

A filigree wall joint that is also suitable for heavy snow loads.



### *Rafters*

One-piece, internal rafters available in range of designs (e.g. with holes) or double-stacked for integration of sliding panes.

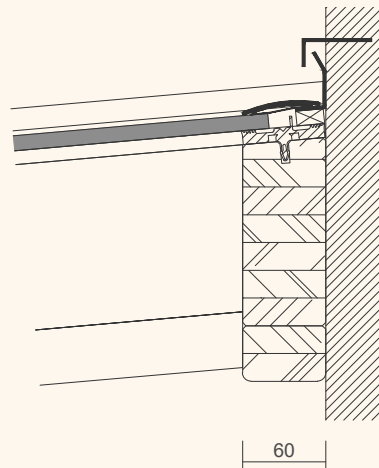


### *Eaves with roof overhang*

One-piece, round eaves combined with rafter edging for quick and easy assembly.

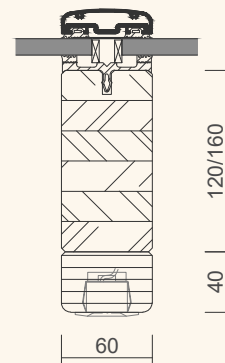
# SDL AURA

## *Detail sections*



### *Wall joint*

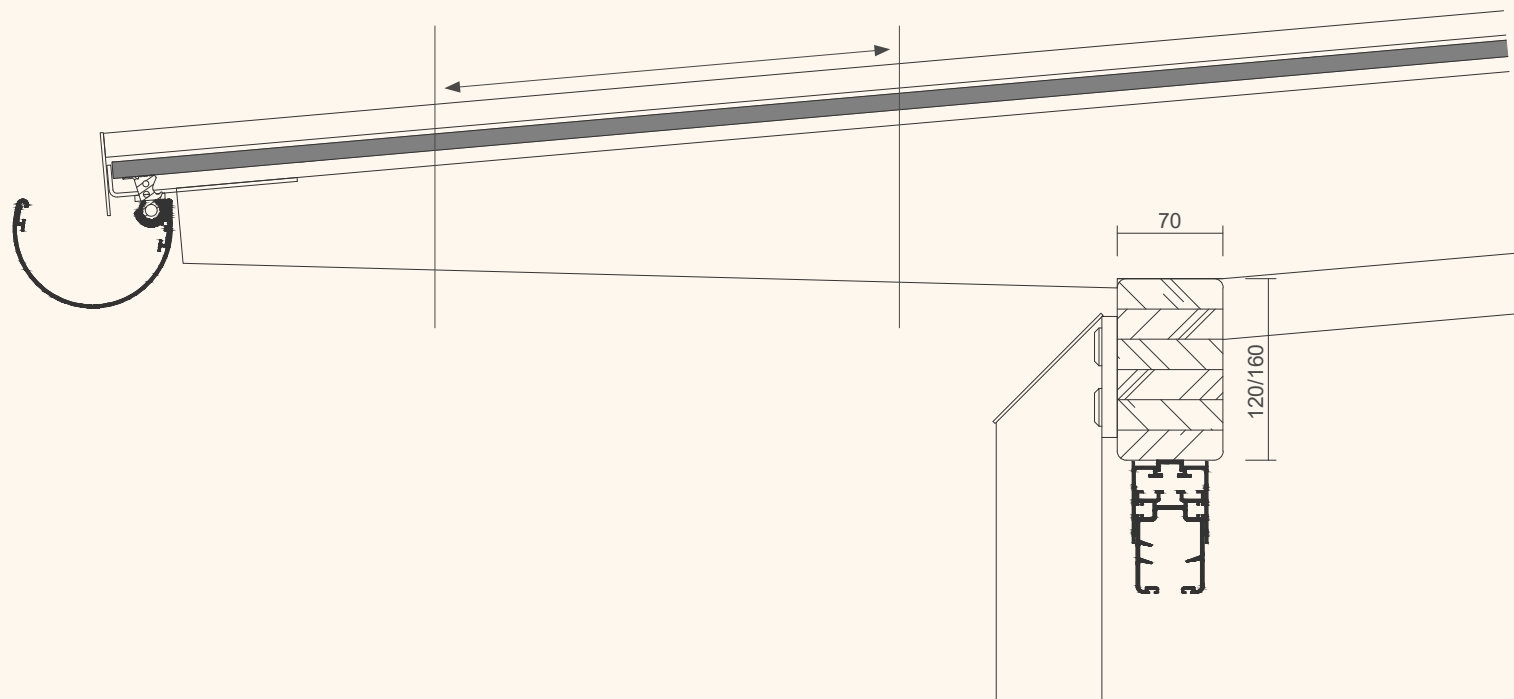
Inside wall joint made of multi-laminate wood with no visible screw connections, with optional cable duct.



### *Rafters*

Filigree, inside rafters made of multi-laminate wood from certified forestry. With optional surface-mounted spotlight rail (does not affect structural integrity of rafters).





### *Eaves with roof overhang*

Eaves made of laminated wood with variable roof overhang; rafter taper increases with length of roof overhang.



# PLACE YOUR TRUST IN A STRONG *company*

ABOUT SOLARLUX







## A SPECIAL FAMILY-OWNED COMPANY

*Down-to-earth, innovative and passionate*

For more than 35 years, Solarlux has represented exceptional quality in the production of bi-folding doors, glass extensions and facade solutions. Founded by Herbert Holtgreife and based in the town of Melle, north-west Germany, the company is now managed by Holtgreife's son, Stefan. But the real driving force behind Solarlux is its employees: A workforce of around 800 imaginative employees is vital for the success of the leading system provider.

The company's environmentally friendly approach to production, in-house production control structure and compliance with the highest quality standards are reflected in its ISO 9001, ISO 14001 and DIN EN 1090 certificates. When combined with the extensive community outreach that has been part of Solarlux ever since it was founded, this truly makes the family-owned company something special.



**"YOU CAN LOOK BACK,  
AND YOU CAN LOOK TO THE  
FUTURE. WE DO BOTH."**

# THE WORLD OF SOLARLUX



## WHAT DOES SOLARLUX STAND FOR?

- Family-owned company
- Certified in accordance with ISO 9001
- In-house Research and Development division
- 800 employees worldwide
- Successful projects in over 60 different countries
- Community outreach, sense of responsibility for people and nature



## PRODUCTION

- 55,000 m<sup>2</sup> production site in north-west Germany
- State-of-the-art manufacturing machinery
- In-house painting line and powder-coating plant
- Sustainable and energy-efficient
- Certified in accordance with environmental standard ISO 14001







## SOLARLUX PRODUCTS

- Made in Germany
- CE-approved
- Certified and independently tested
- Winners of national and international design awards
- Equipped with the best profile surface
- Comply with the strictest quality standards
- Custom products made to order



## SOLARLUX SERVICE

- Top-class consultation
- Everything from a single source
- Tidy assembly
- Private and public building projects handled professionally
- Maintenance and service agreements that extend beyond project completion



# KEEP TRACK OF SOLARLUX IN THE DIGITAL REALM

*Stay up to date*

Projects, references, news - the world of Solarlux moves fast, and an image is sometimes worth a thousand words. What more reason do you need to visit our website or the mySolarlux portal, or to follow us on social media?

But it should go without saying that, even in this digital age, we love hearing from you directly and answering your questions in person or on the phone. So don't delay - contact us today! Whether you'd like a zero-obligation consultation session, a sketch of your personal idea, or simply an answer to your question, there are plenty of ways to get in touch with us.







